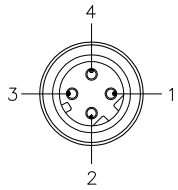
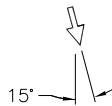
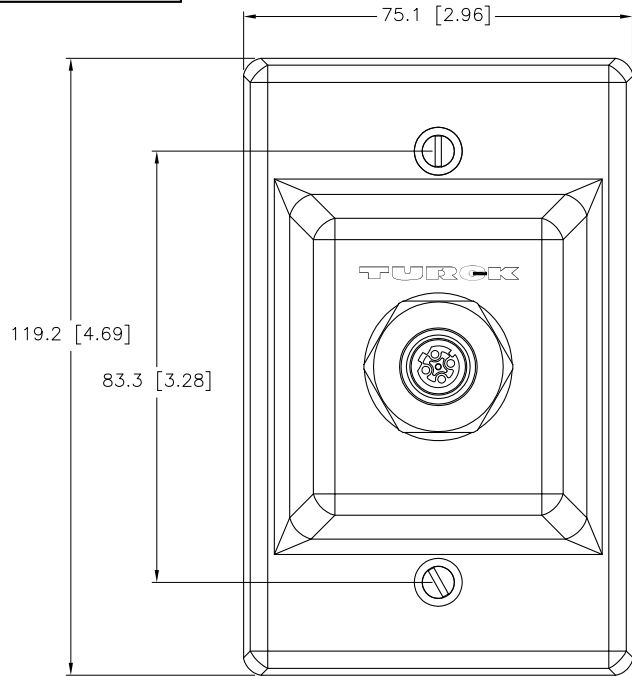
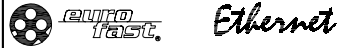


FEMALE END VIEW

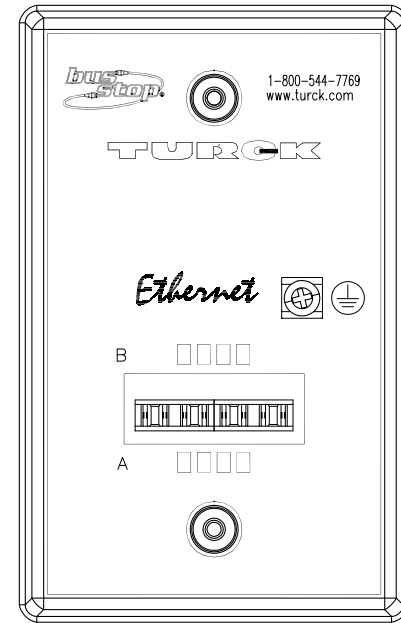
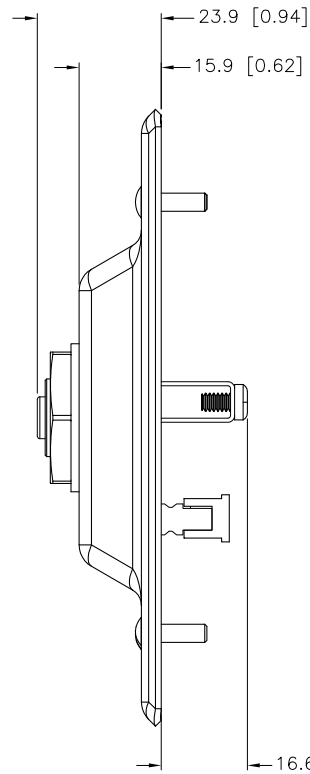


- 1 = WHITE/ORANGE (+TX)
- 2 = WHITE/GREEN (+RX)
- 3 = ORANGE (-TX)
- 4 = GREEN (-RX)



SPECIFICATIONS

WALL PLATE MATERIAL	16 GA. 316 STAINLESS STEEL
RECEPTACLE HOUSING MATERIAL	STAINLESS STEEL, PASSIVATED
SEALING GASKET MATERIAL	CLOSED CELL POLYETHYLENE FOAM
MOUNTING HARDWARE (SUPPLIED)	6-32 SCREWS, STAINLESS STEEL
CONTACT CARRIERS/COLOR	TPU/BLACK
CONTACTS	GOLD-PLATED BRASS
CABLE TERMINATION	110 PUNCH-DOWN BLOCKS
OPERATING VOLTAGE	30 VAC/36 VDC
OPERATING CURRENT	1.5 A
PROTECTION CLASS to DIN 40050	IP 67 - ONLY WHEN ALL RECEPTACLES ARE COVERED WITH PLUGS OR CONNECTED
OPERATING TEMPERATURE	-40°C to +70°C (-40°F to +158°F)



SOURCE DRAWING - FOR REFERENCE ONLY

NOTES:

1) GASKET NOT SHOWN FOR CLARITY.

↑ = 90° CORDSET CABLE DIRECTION

RELATED DOCUMENTS 1. 2. 3. 4.	3RD ANGLE PROJECTION 	THIS DRAWING IS PROPERTY OF TURCK INC. USE OF THIS DOCUMENT WITHOUT WRITTEN PERMISSION IS PROHIBITED.		3000 CAMPUS DRIVE MINNEAPOLIS, MN 55441 1-800-544-7769 (763) 553-7300 (763) 553-0708 fax turck.com	
	MATERIAL	DRFT DF	DATE 08/24/05	DESCRIPTION BPA-44-E113	
FINISH	ALL DIMENSIONS DISPLAYED ON THIS DRAWING ARE FOR REFERENCE ONLY	DSGN	SCALE 1=1.5	IDENTIFICATION NO. U3-00655	
	CONTACT TURCK FOR MORE INFORMATION	UNIT OF MEASUREMENT MILLIMETER [ INCH ]		REV D	
D	DRAWING PROCESSED AS PART OF ECO 33971	CBM	04/07/11	33971	
REV	DESCRIPTION	BY	DATE	ECO NO.	DO NOT SCALE THIS DRAWING
					FILE: U3-00655
					SHEET 1 OF 1